

NanoPi M1

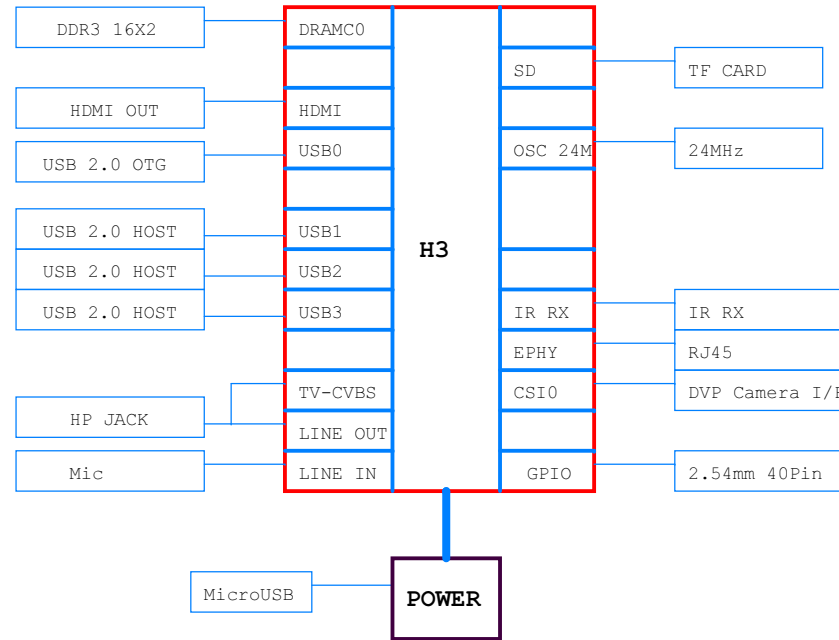
Revision

1603 , First Release
1603B, 1.Change IR reciver to VS1838B
2.Change DC/DC
3.Remove RTC OSC
4.etc

FRIENDLYARM

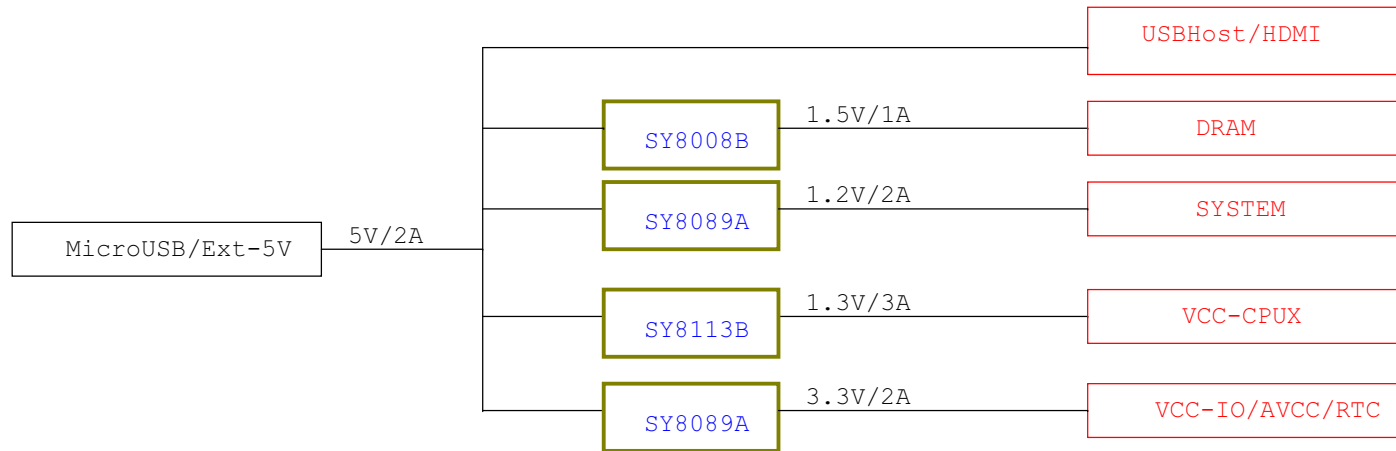
NanoPi M1		
Size A3	Document Number 01:Title	Rev 1603B
Date:	Monday, April 18, 2016	Sheet 1 of 12

BLOCK



FRIENDLYARM

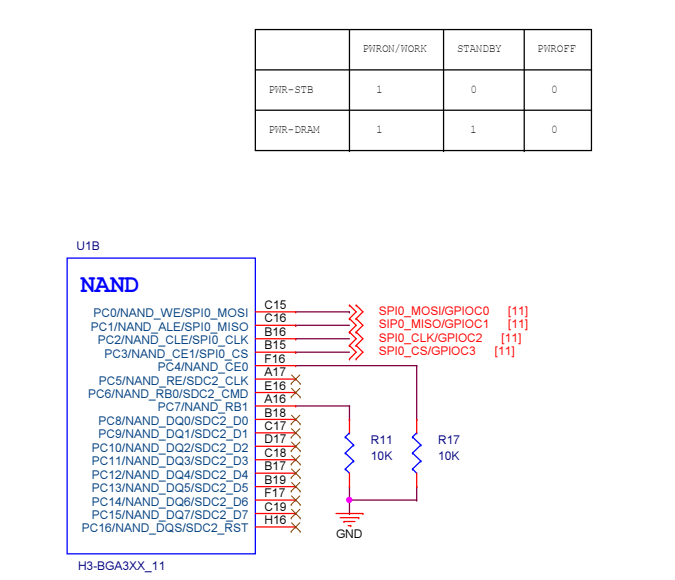
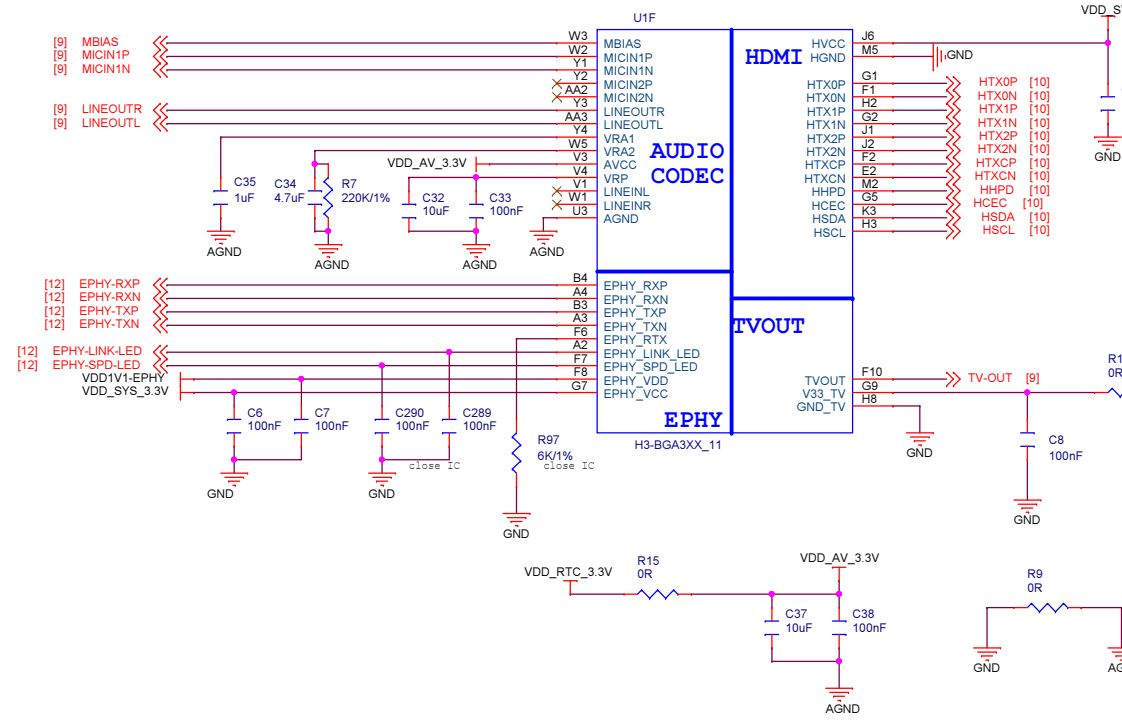
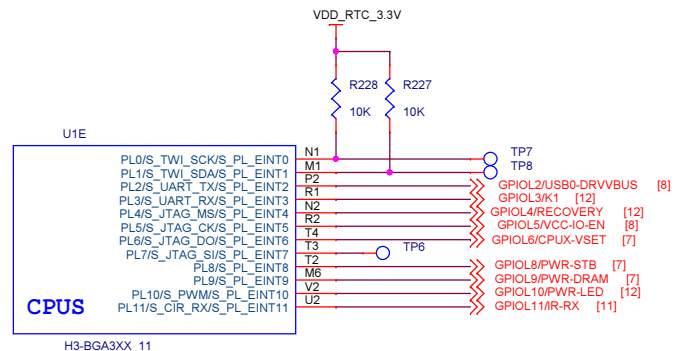
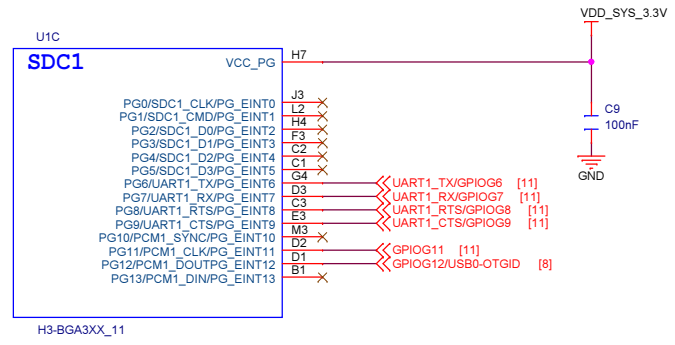
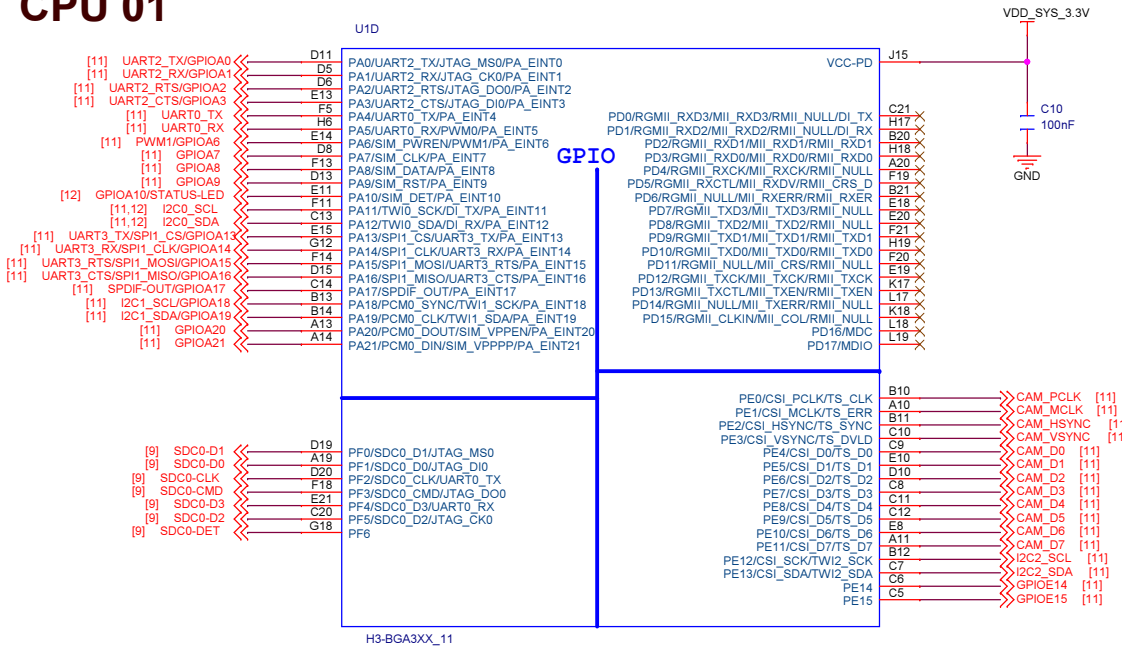
POWER TREE



FRIENDLYARM

NanoPi M1		
Size A3	Document Number 03:Power Tree	Rev 1603B
Date:	Monday, April 18, 2016	Sheet 3 of 12

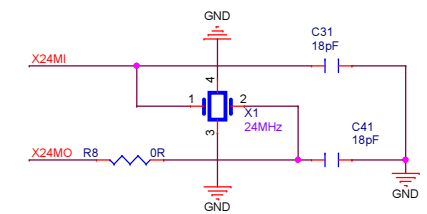
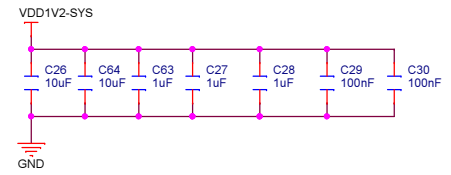
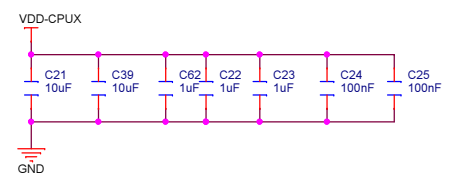
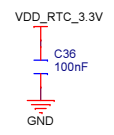
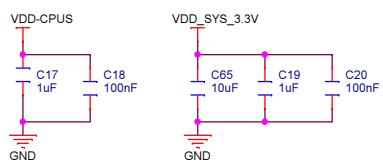
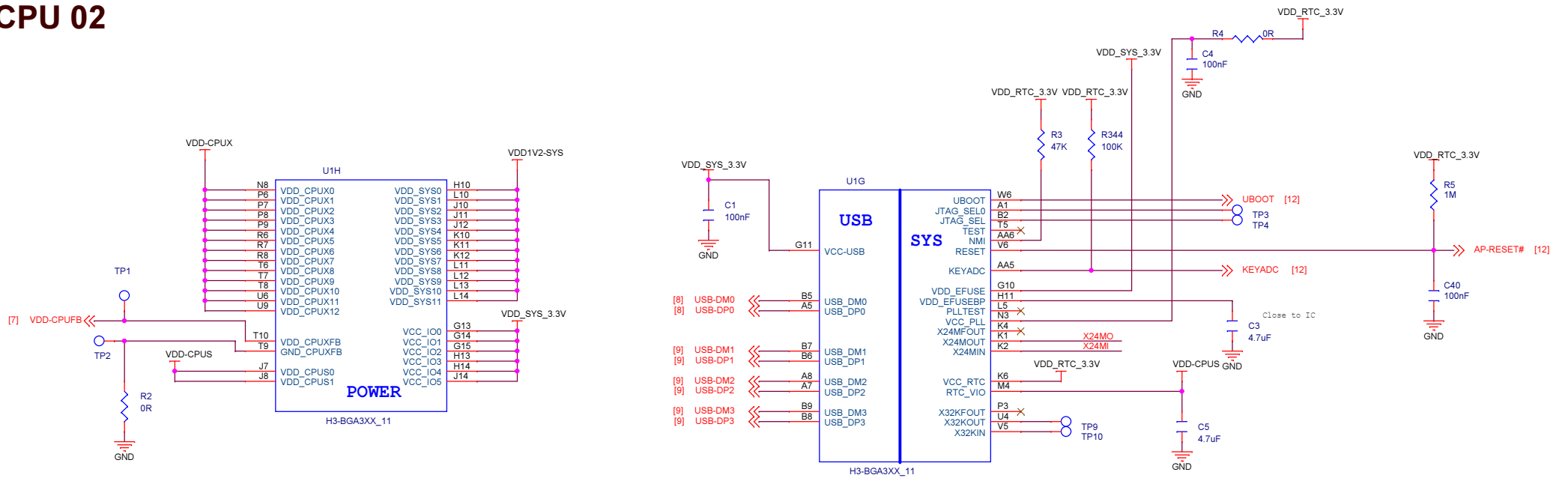
CPU 01



	PWRON/WORX	STANDBY	PWROFF
PWR-STB	1	0	0
PWR-DRAM	1	1	0

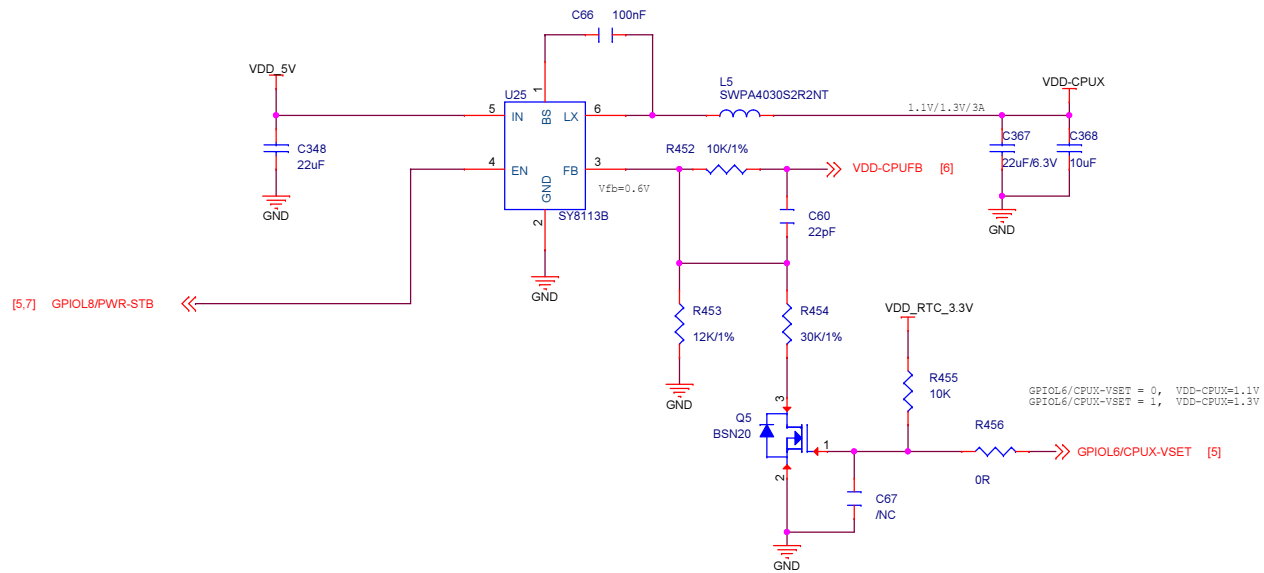
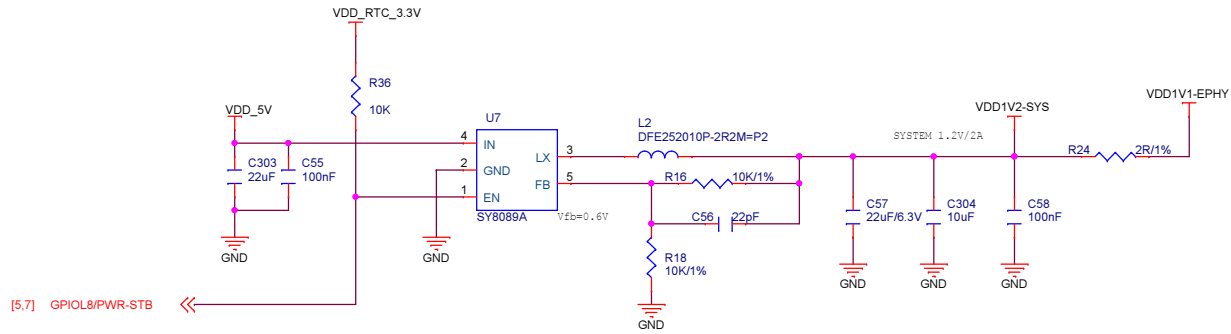
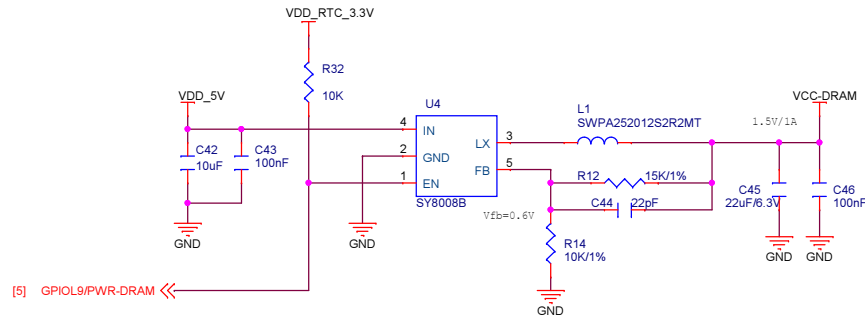


CPU 02



NanoPi M1		
Size A3	Document Number 06:CPU-H3-02	Rev 1603B
Date: Monday, April 18, 2016	Sheet 6	of 12

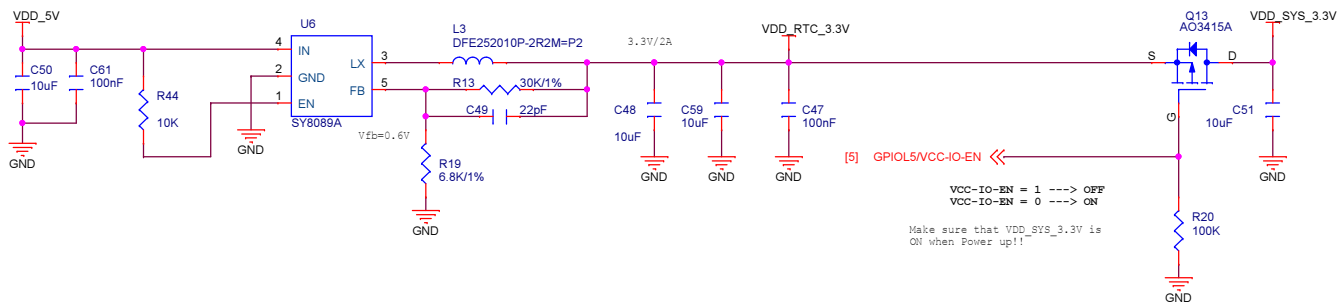
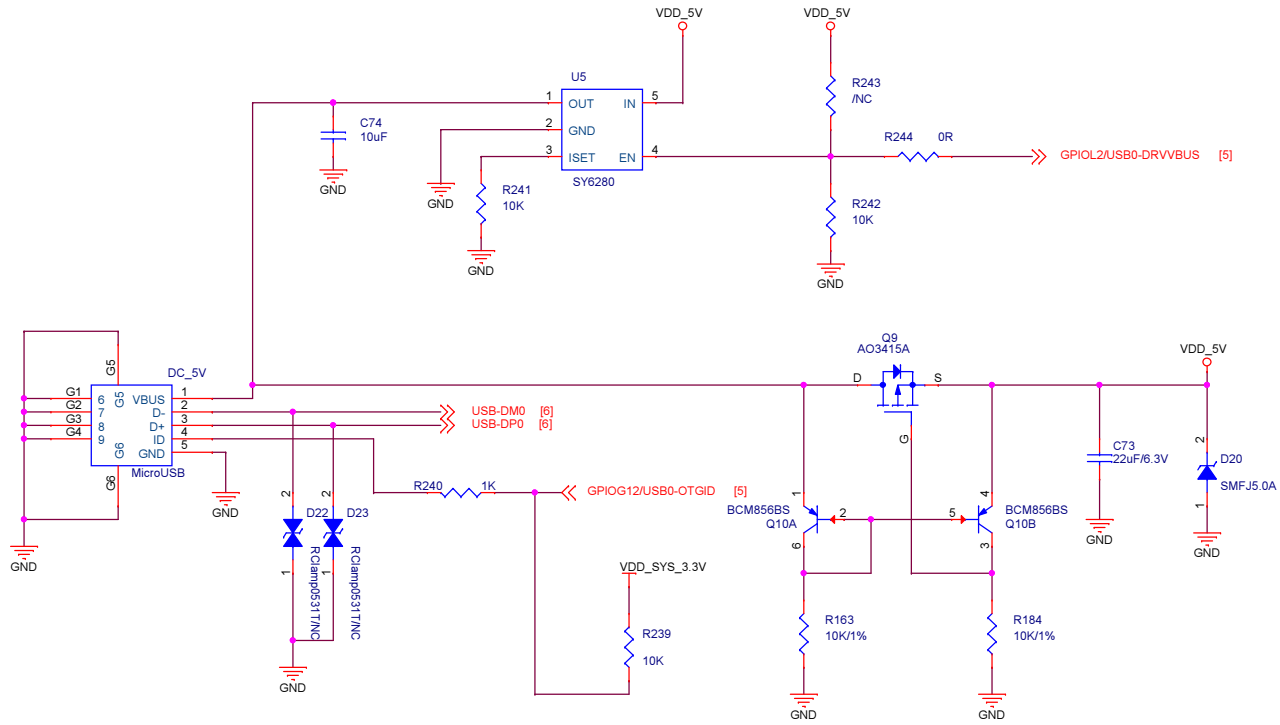
POWER 01



FRIENDLYARM

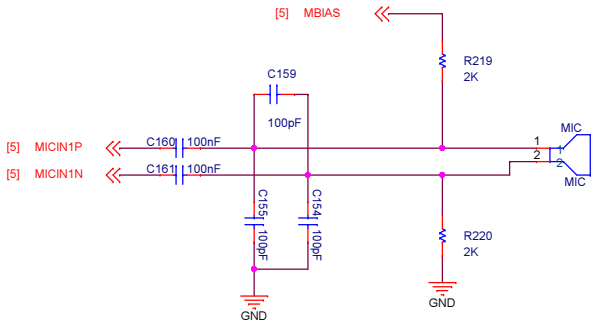
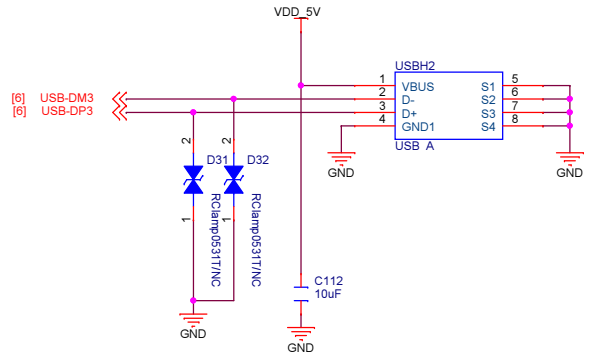
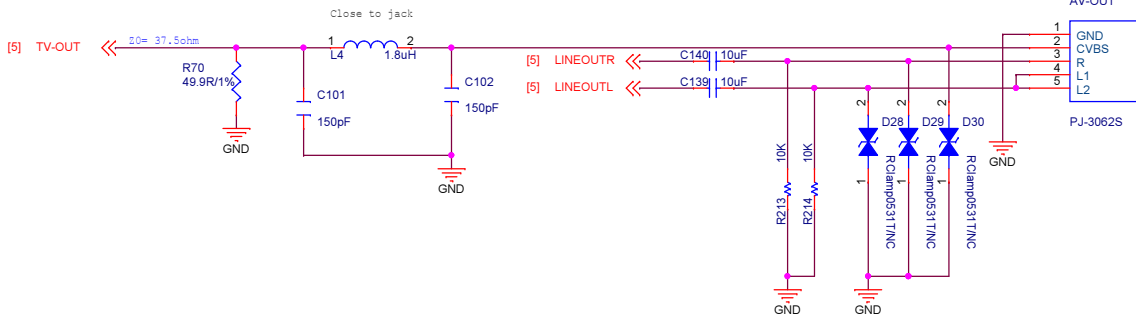
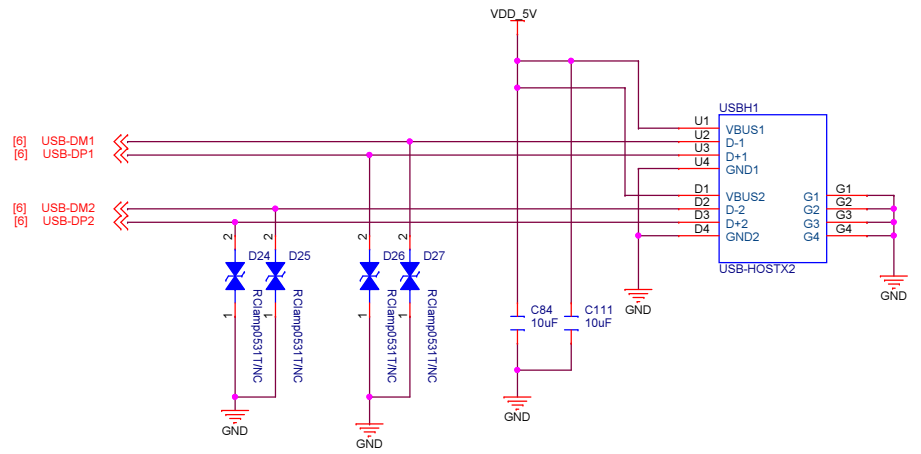
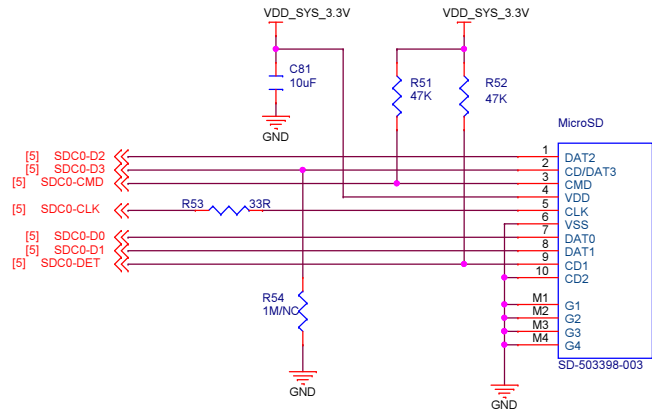
NanoPi M1		
Size A3	Document Number 07:Power-01	Rev 1603B
Date: Monday, April 18, 2016	Sheet 7	of 12

POWER 02



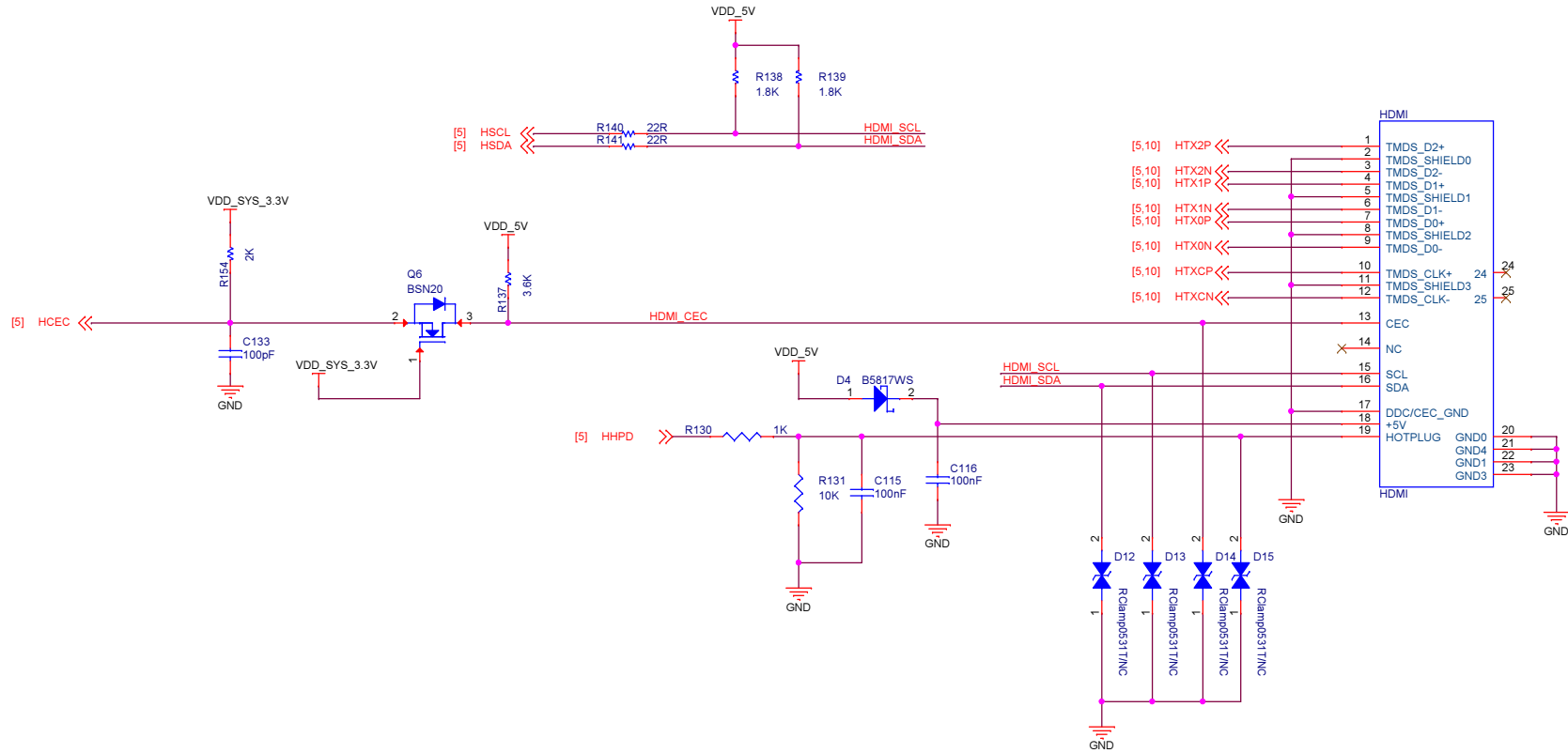
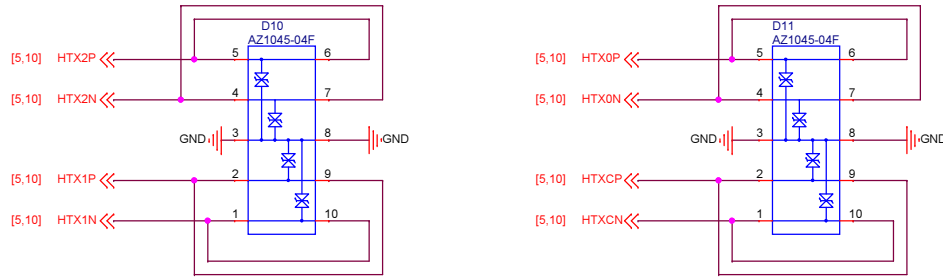
FRIENDLYARM

TF,USB Host, AV



NanoPi M1		
Size A3	Document Number 09:Card,USB Host, AV	Rev 1603B
Date: Monday, April 18, 2016	Sheet 9	of 12

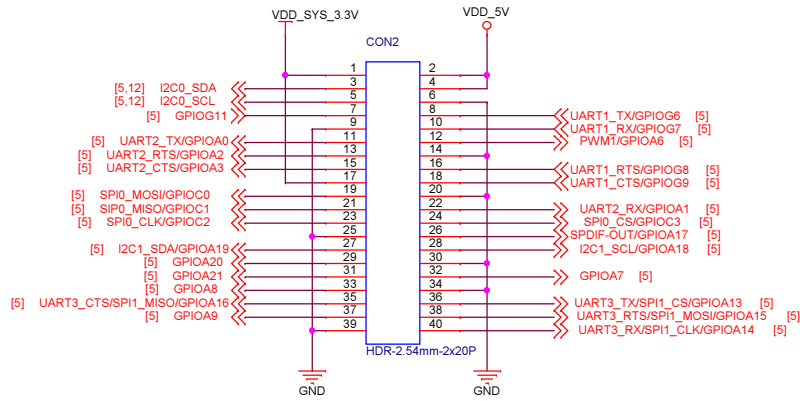
HDMI



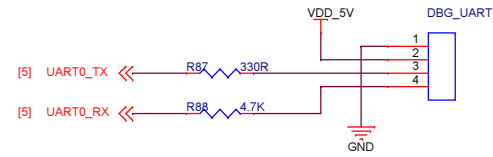
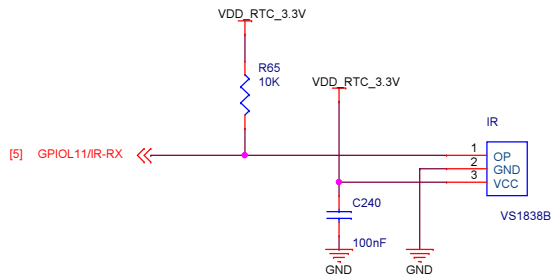
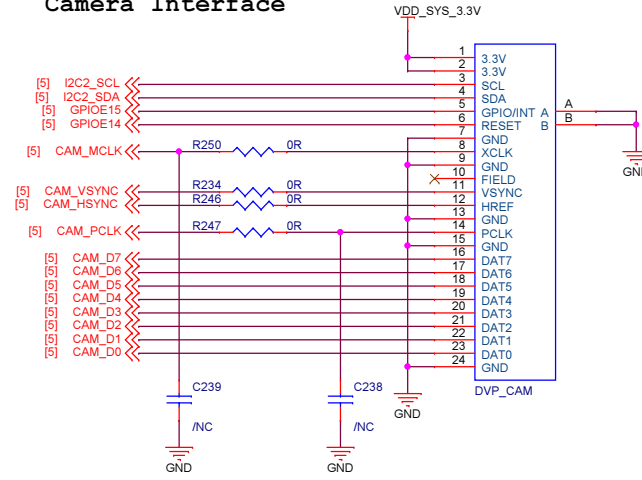
FRIENDLYARM

NanoPi M1		
Size A3	Document Number 10:HDMI	Rev 1603B
Date: Monday, April 18, 2016	Sheet 10	of 12

GPIO, CAM, IR



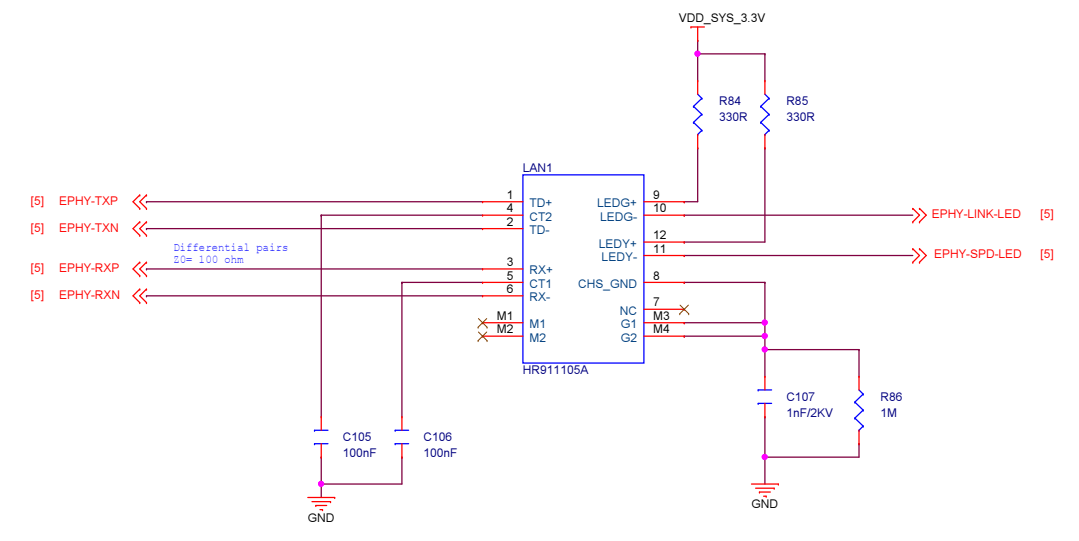
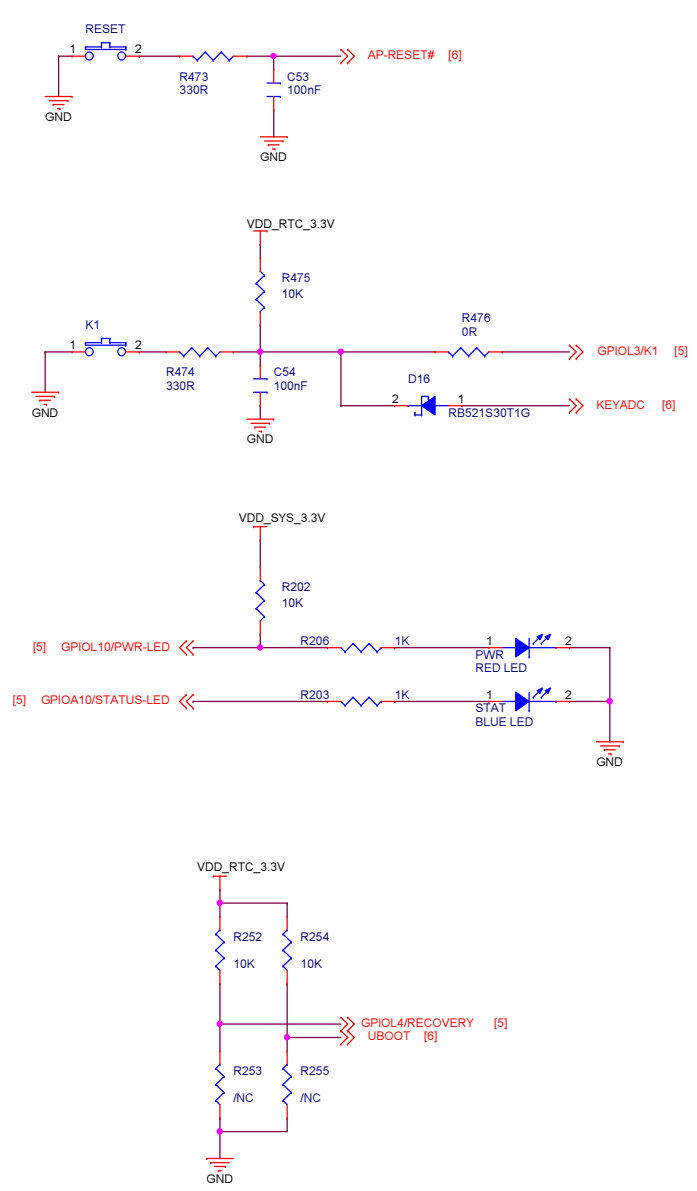
Camera Interface



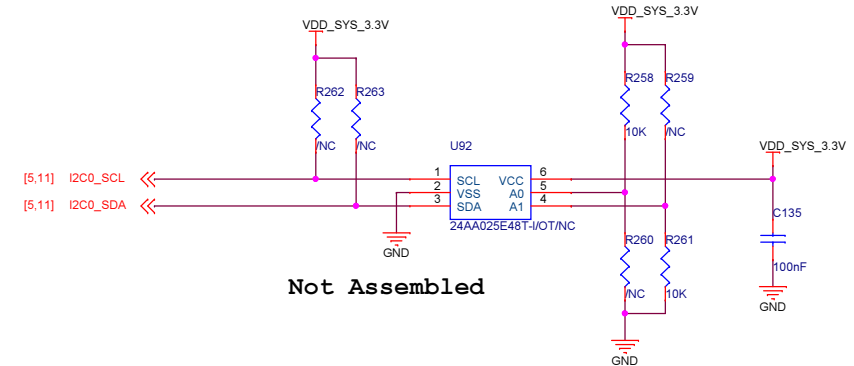
FRIENDLYARM

NanoPi M1		
Size A3	Document Number 11:GPIO, CAM, IR	Rev 1603B
Date: Monday, April 18, 2016	Sheet 11	of 12

LEDs, LAN, Keys



EEPROM with MAC Address



Not Assembled

